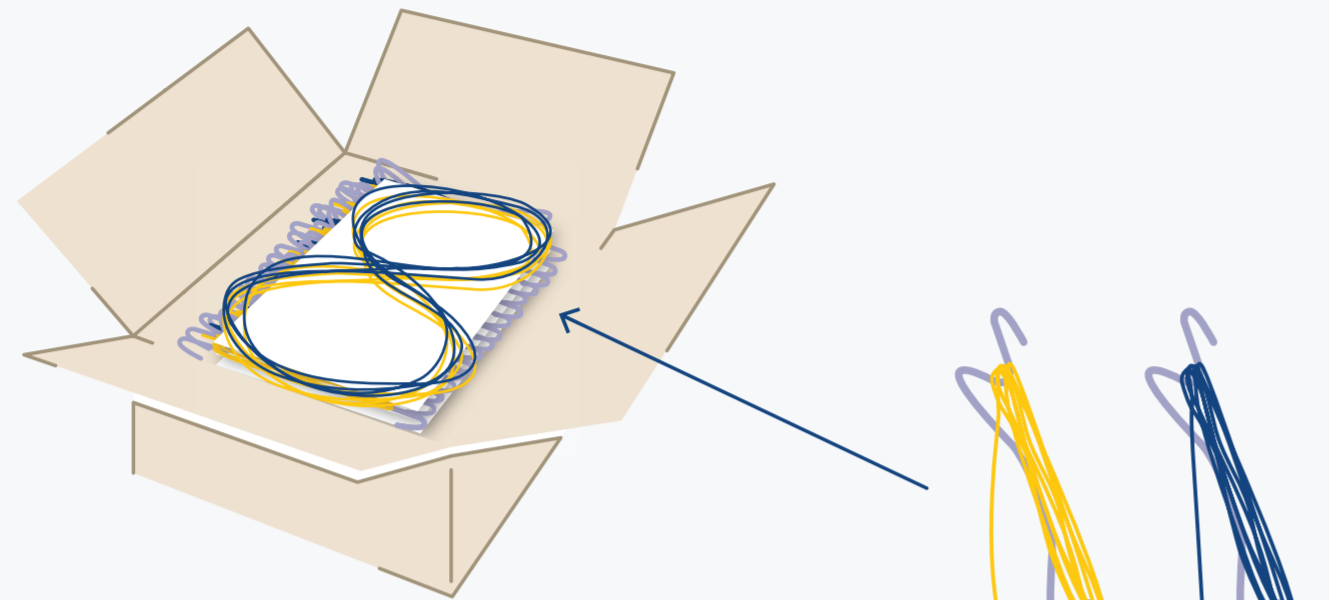
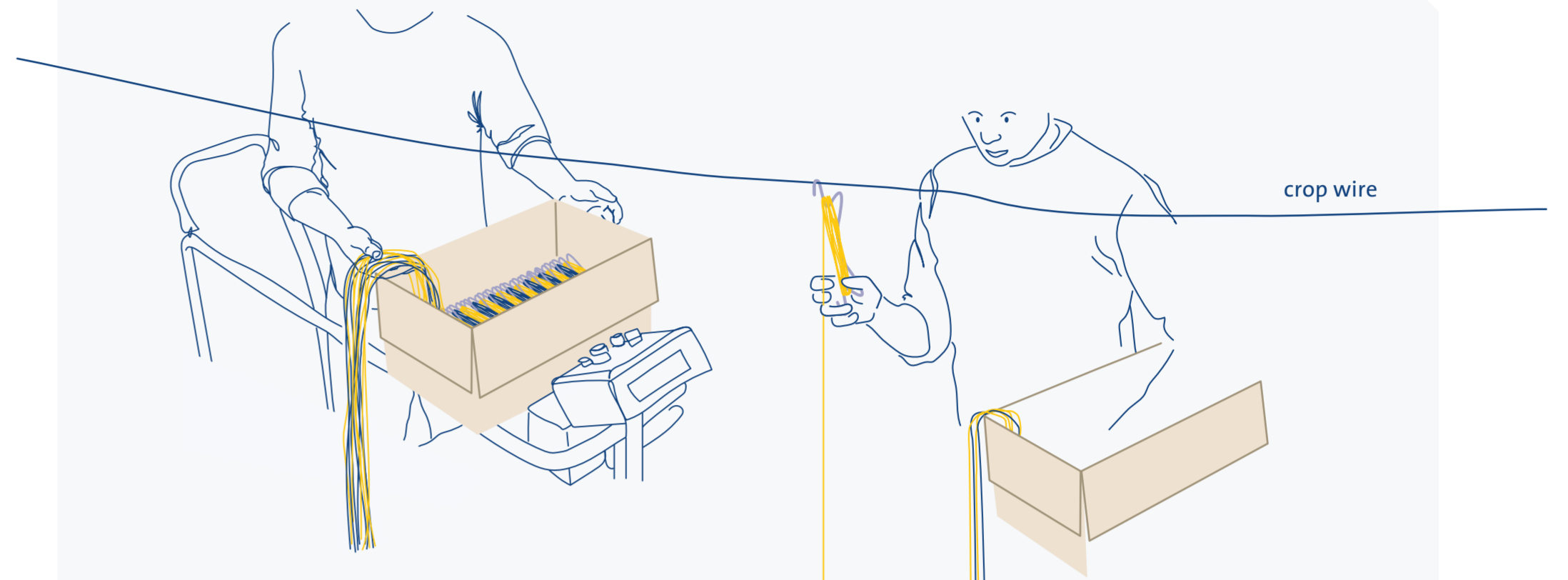


USER INSTRUCTIONS

for high wire hooks with free fall



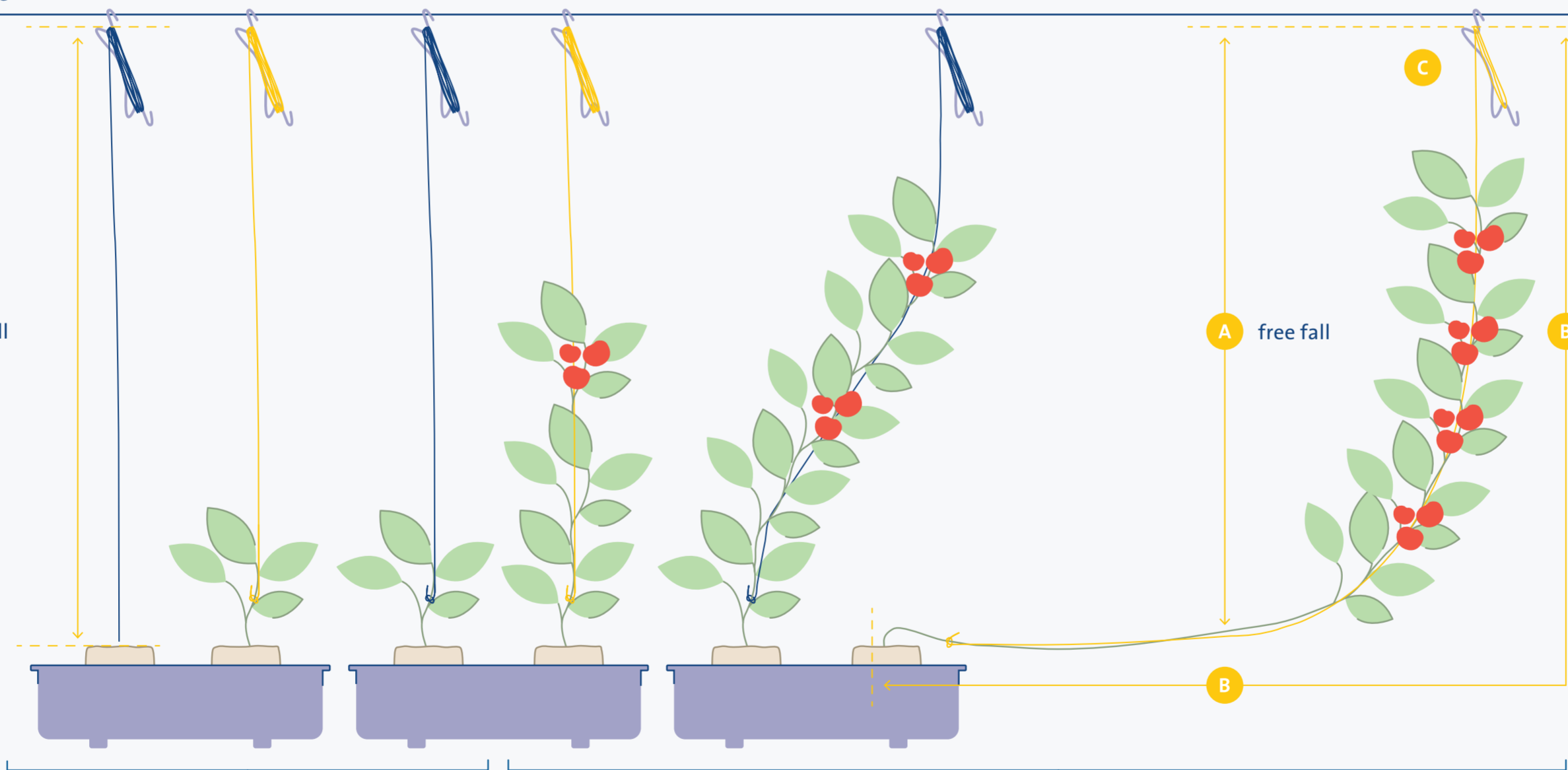
1 Our high wire hooks with free-falling part are wound according to the J.S. system. As such, the hooks are laid out neatly side by side in the box, with the free-falling part folded into a figure of eight on top.



2 Hang the free-falling part next to the box and pipe rail trolley. Hang the hooks on the crop wire one by one. The J.S. system eliminates the need to unwind the hooks, which results in fast, efficient work and less labour.

crop wire

free fall



3

Tie the end of the twine to the young plant. The length of the free-falling part is always made to size for the customer. Size = distance of the crop wire from the bottom of the young plant. The free-falling part is at least 1,5 metres and no more than 4,5 metres long.

4

During cultivation, the plant grows and the hook is unwound further and further. The hook moves further and further along on the crop wire. The total length of the fully grown plant determines the total length of the twine on the high wire hook. The length of the fully grown plant (B) and the length of the free-falling part (A) determine the length of the twine on the wrapped hook (C).

- A** length of the free-falling part
- B** total length of the fully grown plant
- C** length of the twine on the hook